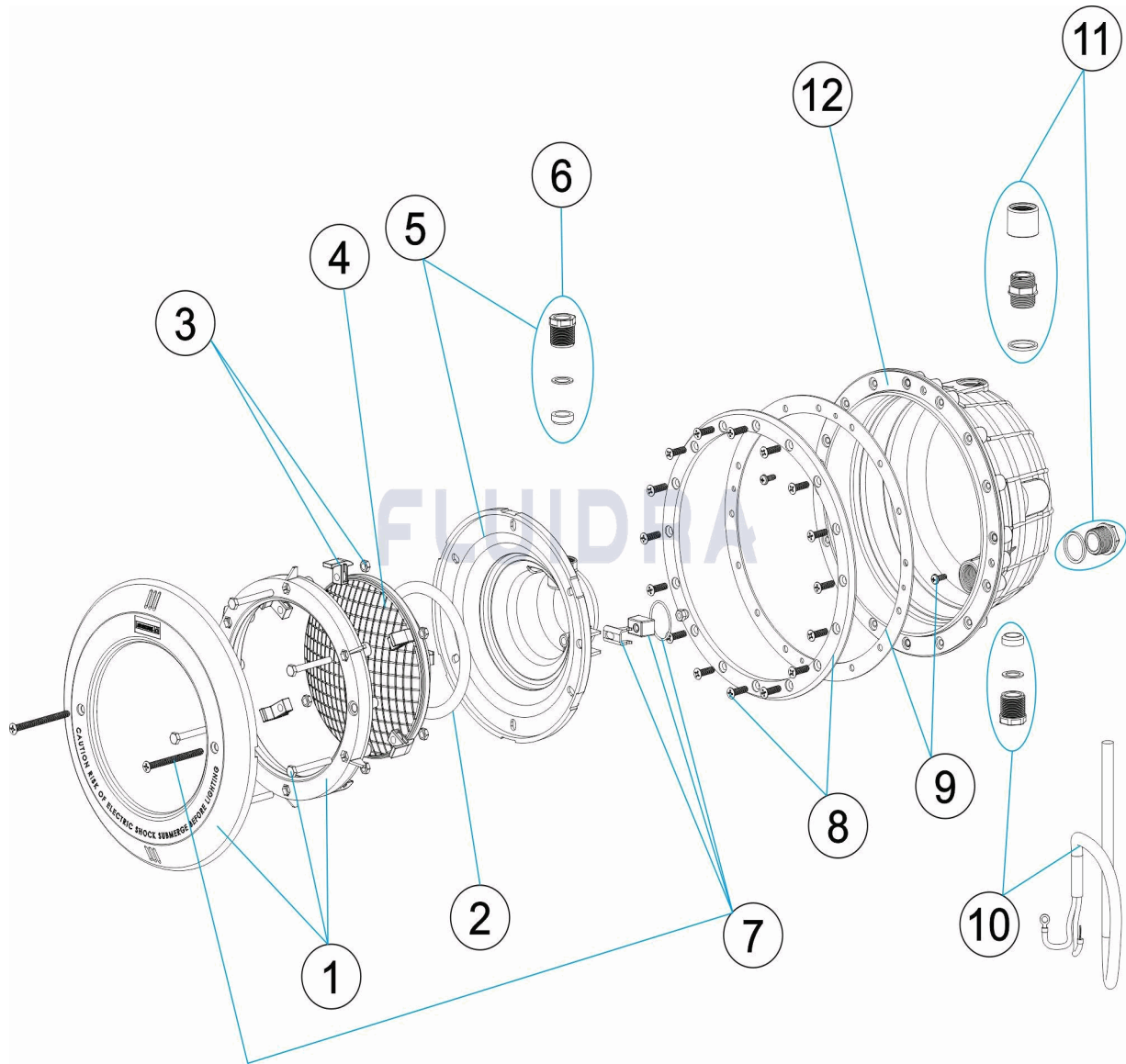


CODIGO **07855, 07856, 21080, 07856CL144**

DESCRIPCION: **PROYECTOR PISCINA PREFABRICADA ABS/INOX**



ESPAÑOL

POS	CODIGO	DESCRIPCION	CANTIDAD	POS	CODIGO	DESCRIPCION	CANTIDAD
1	* 4403010301	ARO INOX. PROYECTOR		8	* 4403010901	ARO PROYECTOR PISCINA PREFABRICADA	
1	* 4403010302	ARO BLANCO PROYECTOR		8	* 4403012416	ARO PROYECTOR PISC. PREF. TOR. PARKI	
1	* 4403010100	ARO PROYECTOR ANTRACITA		8	* 4403010146	ARO PROYECTOR PISCINA PREFABRICADA	
2	4403010304	JUNTA TORICA PROYECTOR		9	4403012412	JUNTA ADHESIVA PROYECTOR	
3	4403010306	CLIP FIJACION PROYECTOR		10	4403010314	CABLE PROYECTOR M-25 HALOGENO	
4	4403010058	LAMPARA 300W.12.V.		11	4403010313	PRENSAESTOPAS CUERPO PROYECTOR I	
5	4403010305	FONDO FOCO PROYECTOR HALOGENO		12	* 07856R0200	NICHO PROYECTOR STD. M-25 BI MATERIA	
6	4403010312	PRENSAESTOPAS FOCO PROYECTOR M-2		12	* 21079R0001	NICHO PROYECTOR STD M-25 PIS.	
7	4403015002	CJTO. FIJACION PROYECTOR JELLY STD...					

CODIGO 07855, 07856, 21080, 07856CL144

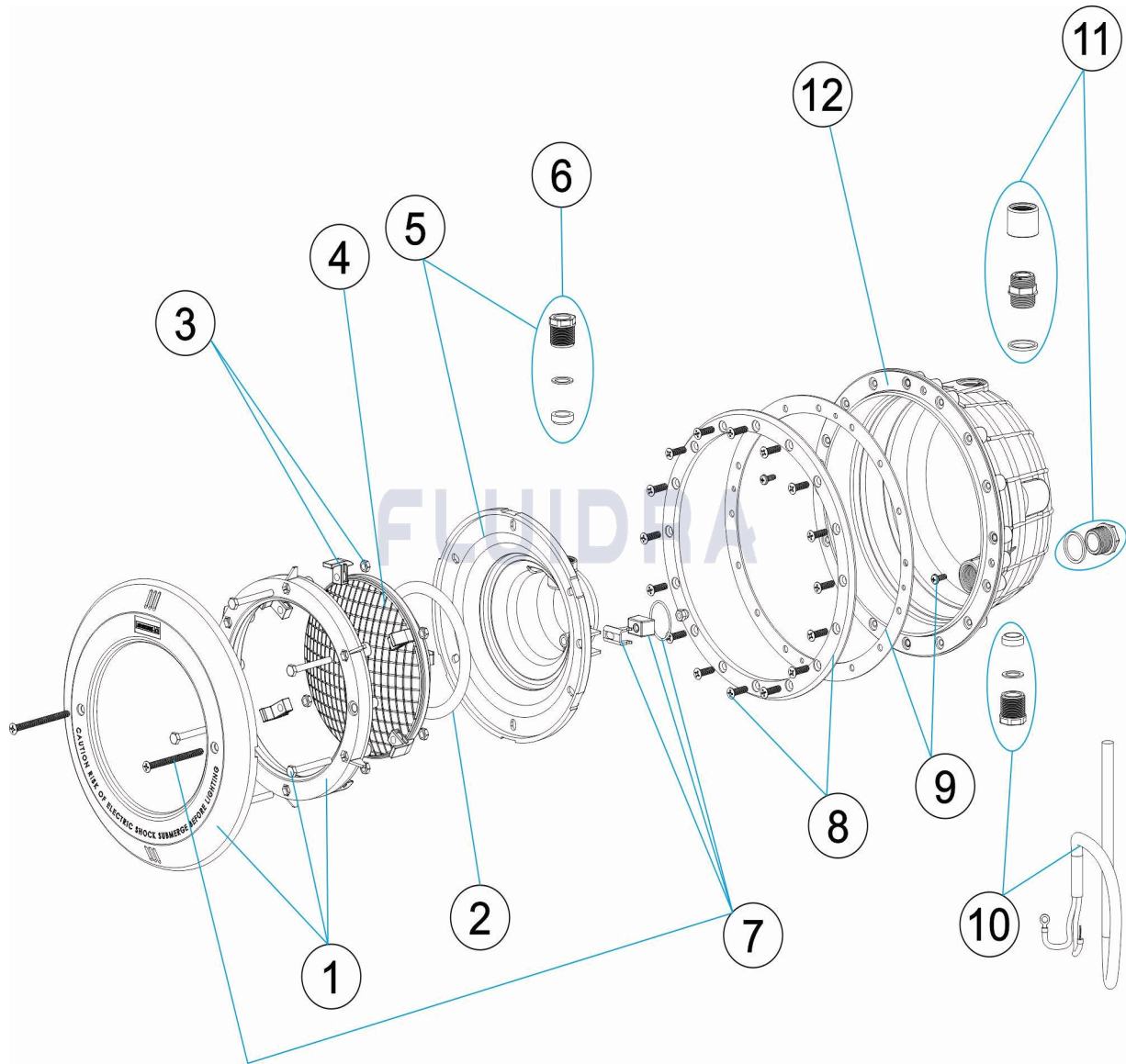
DESCRIPCION: PROYECTOR PISCINA PREFABRICADA ABS/INOX

OBSERVACIONES

POS	CODIGO	OBSERVACIONES
1	* 4403010301	PARA: 07855
1	* 4403010302	PARA: 07856, 21080
1	* 4403010100	PARA: 07856CL144
8	* 4403010901	PARA: 07855, 07856
8	* 4403012416	PARA: 21080
8	* 4403010146	PARA: 07856CL144
12	* 07856R0200	PARA: 07855, 07856, 07856CL144
12	* 21079R0001	PARA: 21080

CODE 07855, 07856, 21080, 07856CL144

DESCRIPTION: PROJECTEUR PISCINE PRÉFABRIQUÉE ABS/INOX



FRANCAIS

POS	CODE	DESCRIPTION	QUANTITE	POS	CODE	DESCRIPTION	QUANTITE
1	* 4403010301	ENJOLIVEUR INOX DE PROJECTEUR		8	* 4403010901	ANNEAU PROJECTEUR PISCINE LINER	
1	* 4403010302	ENJOLIVEUR BLANC DE PROJECTEUR		8	* 4403012416	ANNEAU PROJECTEUR PISCINE LINER PAI	
1	* 4403010100	ENJOLIVEUR ANTHRACITE DE PROJECTEUR		8	* 4403010146	ANNEAU PROJECTEUR PISCINE LINER	
2	4403010304	JOINT TORIQUE PROJECTEUR		9	4403012412	JOINT ADHESIF PROJECTEUR	
3	4403010306	CLIP FIXATION PROJECTEUR		10	4403010314	CABLE PROJECTEUR M-25	
4	4403010058	LAMPE		11	4403010313	CORPS PRESSE ETOUPE M-25	
5	4403010305	NICHE D'AMPOULE DE PROJECTEUR		12	* 07856R0200	NICHE PROJECTEUR POUR VIS MÉTRIQUE	
6	4403010312	PRESSE ETOUPE PROJECTEUR M-25		12	* 21079R0001	NICHE PROJECTEUR STD M-25 PIS.	
7	4403015002	ENSEMBLE FIXATION PROJECTEUR JELLY					

CODE **07855, 07856, 21080, 07856CL144**

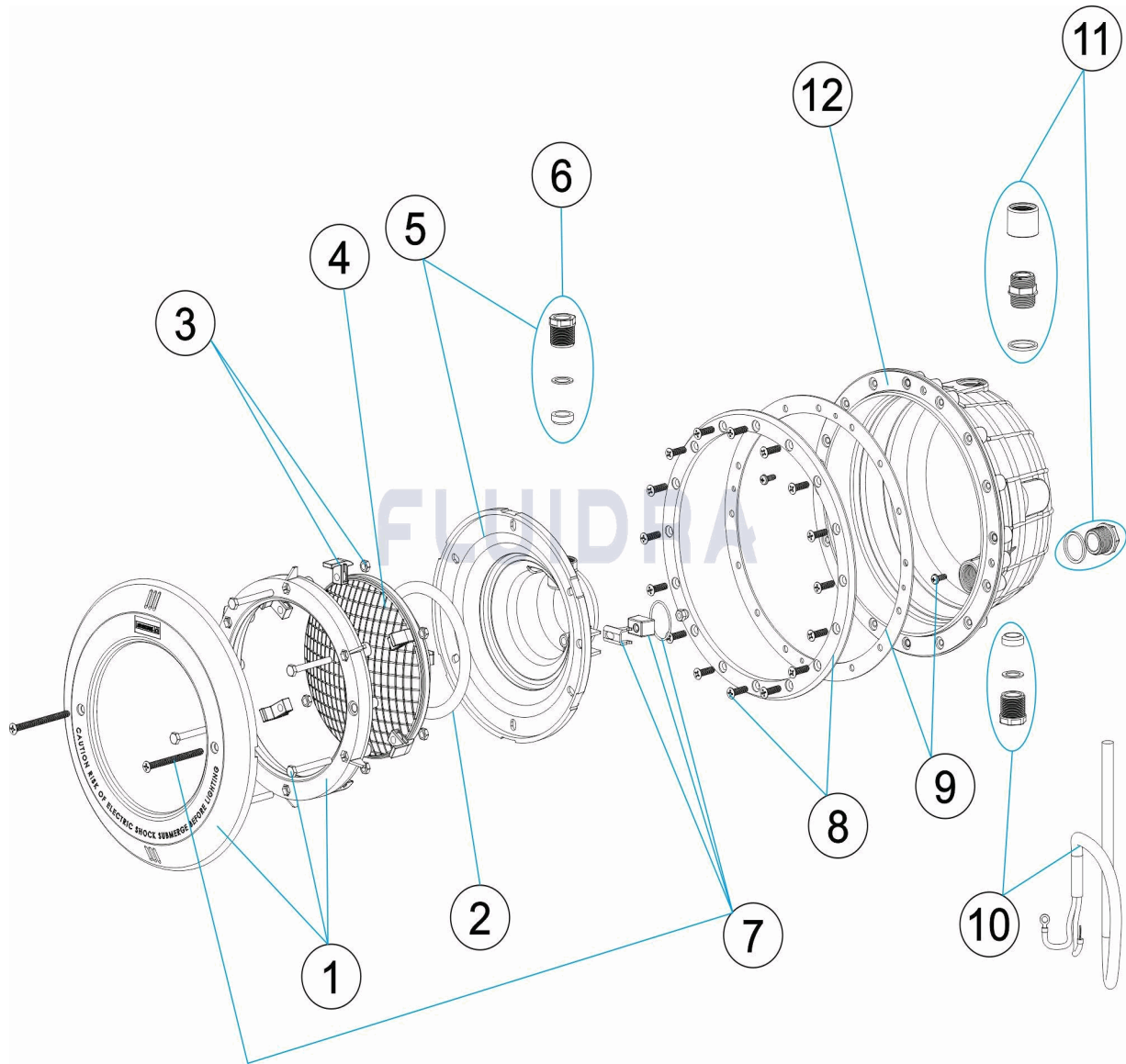
DESCRIPTION: **PROJECTEUR PISCINE PRÉFABRIQUÉE ABS/INOX**

OBSERVATIONS

POS	CODE	OBSERVATIONS
1	* 4403010301	POUR: 07855
1	* 4403010302	POUR: 07856, 21080
1	* 4403010100	POUR: 07856CL144
8	* 4403010901	POUR: 07855, 07856
8	* 4403012416	POUR: 21080
8	* 4403010146	POUR: 07856CL144
12	* 07856R0200	POUR: 07855, 07856, 07856CL144
12	* 21079R0001	POUR: 21080

CODE 07855, 07856, 21080, 07856CL144

DESCRIPTION: ABS/INOX PREFABRICATED POOL



ENGLISH

POS	CODE	DESCRIPTION	QUANTITY	POS	CODE	DESCRIPTION	QUANTITY
1	* 4403010301	S.S. FACEPLATE AND SECURING RING		8	* 4403010901	LIGHT RIM	
1	* 4403010302	WHITE FACEPLATE		8	* 4403012416	LIGHT RIM PARKER	
1	* 4403010100	ANTHRACITE FACEPLATE		8	* 4403010146	LIGHT RIM	
2	4403010304	LIGHT O RING		9	4403012412	LIGHT ADHESIVE GASKET	
3	4403010306	LIGHT FIXING CLIP		10	4403010314	LIGHT CABLE M-25	
4	4403010058	LIGHTBULB		11	4403010313	BODY PACKING GLAND M-25	
5	4403010305	BACK COVER		12	* 07856R0200	BIMATERIAL METRIC PITCH HOUSING	
6	4403010312	PACKING GLAND M-25		12	* 21079R0001	STD M-25 PIS. LIGHT NICHE	
7	4403015002	FIXING SET UNDERWATER LIGHT JELLY S'					

CODE **07855, 07856, 21080, 07856CL144**

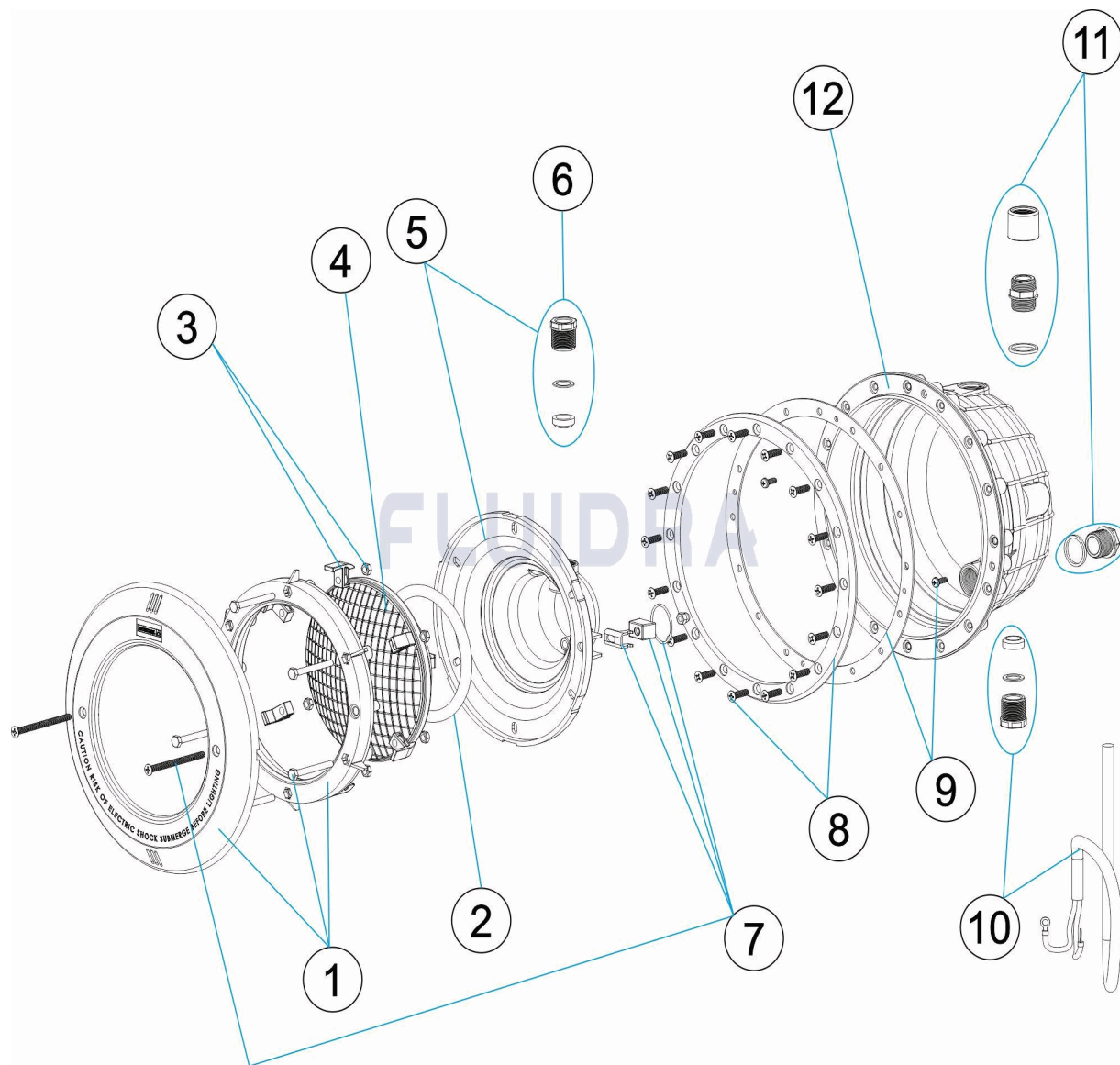
DESCRIPTION: **ABS/INOX PREFABRICATED POOL**

OBSERVATIONS

POS	CODE	OBSERVATIONS
1	* 4403010301	FOR: 07855
1	* 4403010302	FOR: 07856, 21080
1	* 4403010100	FOR: 07856CL144
8	* 4403010901	FOR: 07855, 07856
8	* 4403012416	FOR: 21080
8	* 4403010146	FOR: 07856CL144
12	* 07856R0200	FOR: 07855, 07856, 07856CL144
12	* 21079R0001	FOR: 21080

CODICE 07855, 07856, 21080, 07856CL144

DESCRIZIONE: PROIETTORE PISCINA PREFABBRICATA ABS/INOX



ITALIANO

POS	CODICE	DESCRIZIONE	QUANTITA'	POS	CODICE	DESCRIZIONE	QUANTITA'
1	* 4403010301	FLANGIA INOX FARO		8	* 4403010901	COPRIFLANGIA FARO P.F.	
1	* 4403010302	FLANGIA BIANCA FARO		8	* 4403012416	COPRIFLANGIA FARO P.F. PARKER	
1	* 4403010100	FLANGIA ANTRACITE FARO		8	* 4403010146	COPRIFLANGIA FARO P.F.	
2	4403010304	O-RING FARO		9	4403012412	GUARNIZIONE ADESIVA FARO	
3	4403010306	CLIP FISSAGGIO FARO		10	4403010314	CABLE PROJECTEUR M-25	
4	4403010058	LAMPADINA		11	4403010313	PRESSACAVI CORPO M-25	
5	4403010305	COPPA FARO		12	* 07856R0200	NICCHIA BIMATERIALE A FILETTO METRICO	
6	4403010312	PRESSACAVI M-25		12	* 21079R0001	NICCHIA PROIETTORE STD M-25 PIS.	
7	4403015002	KIT FISSAGGIO PROIETTORE JELLY STD. /					

CODICE **07855, 07856, 21080, 07856CL144**

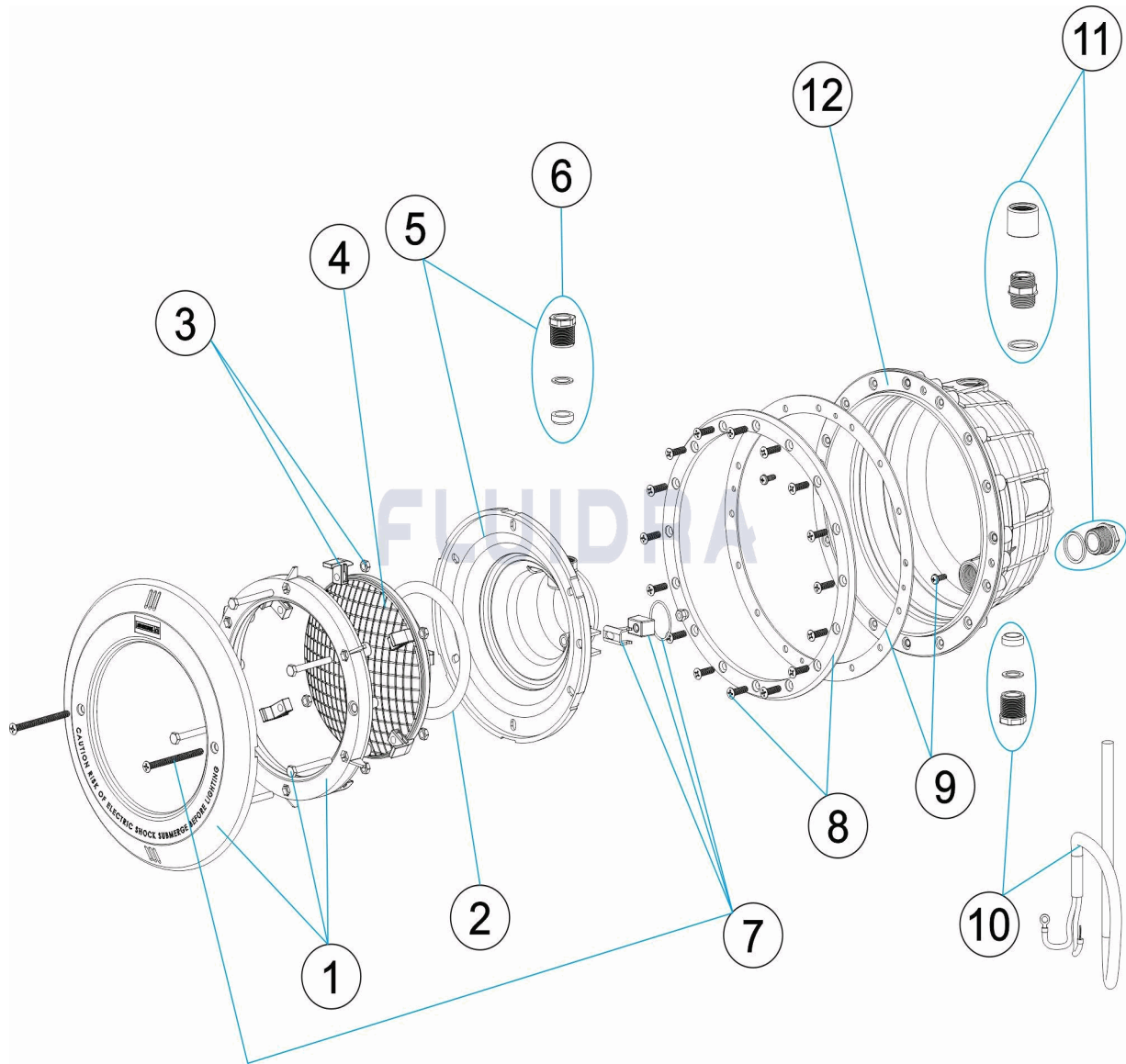
DESCRIZIONE: PROIETTORE PISCINA PREFABBRICATA ABS/INOX

OSSERVAZIONI

POS	CODICE	OSSERVAZIONI
1	* 4403010301	PER: 07855
1	* 4403010302	PER: 07856, 21080
1	* 4403010100	PER: 07856CL144
8	* 4403010901	PER: 07855, 07856
8	* 4403012416	PER: 21080
8	* 4403010146	PER: 07856CL144
12	* 07856R0200	PER: 07855, 07856, 07856CL144
12	* 21079R0001	PER: 21080

CODE 07855, 07856, 21080, 07856CL144

BESCHREIBUNG: UWS FERTIGBECKEN ABS/EDESTAHL



DEUTSCH

POS	CODE	BESCHREIBUNG	MENGE	POS	CODE	BESCHREIBUNG	MENGE
1	* 4403010301	RING EDELSTAHL UWS		8	* 4403010901	RING UWS FERTIGBECKEN	
1	* 4403010302	RING WEISS UWS		8	* 4403012416	RING UWS FERTIGBECKEN PARKER-SCHR	
1	* 4403010100	RING ANTHRAZIT UWS		8	* 4403010146	RING UWS FERTIGBECKEN	
2	4403010304	O-RING UWS		9	4403012412	DICHTUNG SELBSTKLEBEND UWS	
3	4403010306	FIXIERCLIP UWS		10	4403010314	UWS-KABEL M-25 HALOGEN	
4	4403010058	LAMPE 300 W 12 V		11	4403010313	QUETSCHVERSCHRAUBUNG GEHÄUSE UV	
5	4403010305	BASIS UWS HALOGEN		12	* 07856R0200	EINBAUTOPF UWS STD. M-25 ZWEI MATER	
6	4403010312	QUETSCHVERSCHRAUBUNG LAMPE UWS		12	* 21079R0001	EINBAUTOPF UWS STD. M-25 BECKEN	
7	4403015002	FIXIERSET UWS JELLY STD. A2					

CODE **07855, 07856, 21080, 07856CL144**

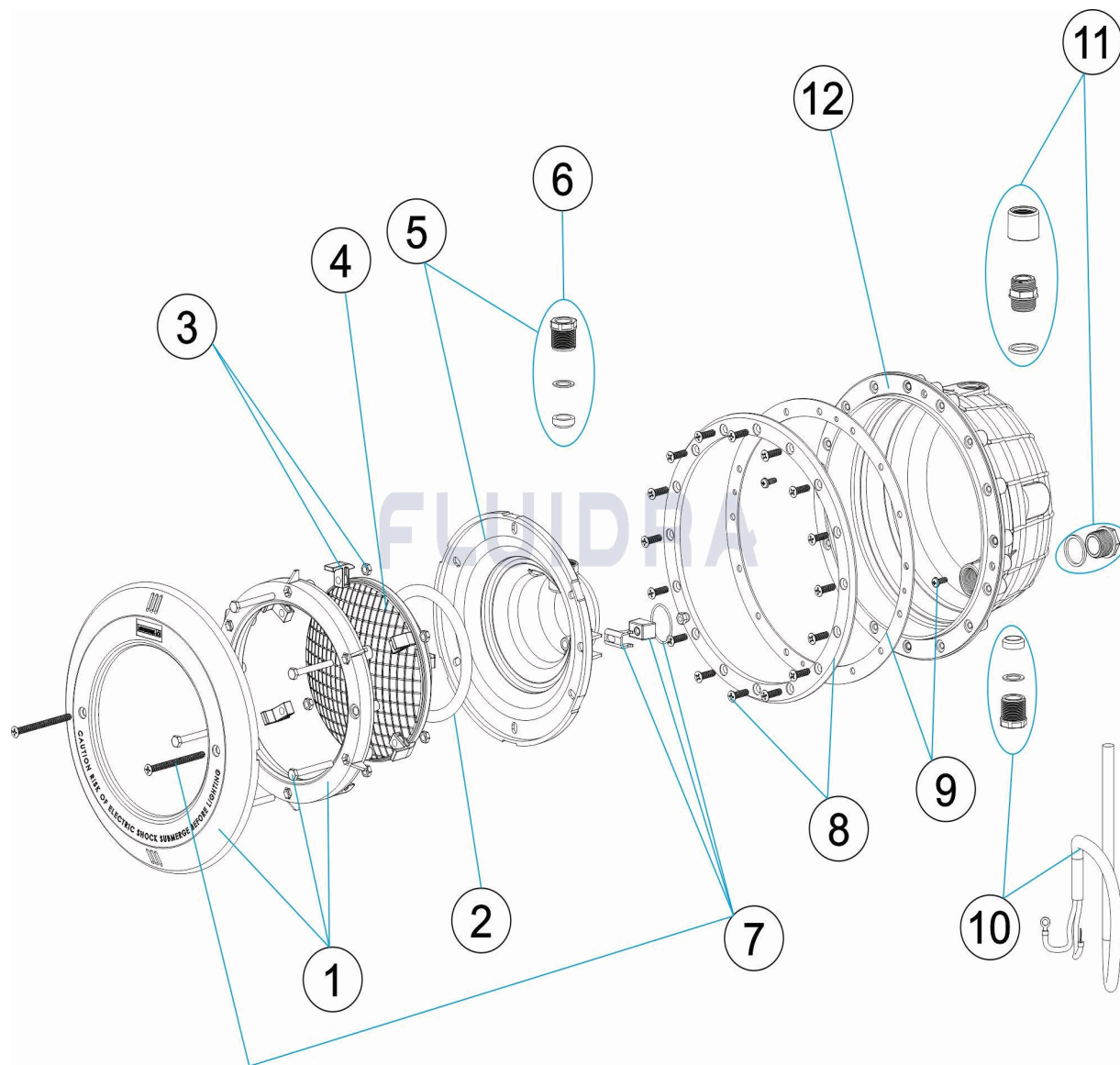
BESCHREIBUNG: **UWS FERTIGBECKEN ABS/EDESTAHL**

HINWEISE

POS	CODE	HINWEISE
1	* 4403010301	FÜR: 07855
1	* 4403010302	FÜR: 07856, 21080
1	* 4403010100	FÜR: 07856CL144
8	* 4403010901	FÜR: 07855, 07856
8	* 4403012416	FÜR: 21080
8	* 4403010146	FÜR: 07856CL144
12	* 07856R0200	FÜR: 07855, 07856, 07856CL144
12	* 21079R0001	FÜR: 21080

CODIGO **07855, 07856, 21080, 07856CL144**

DESCRIÇÃO: **PROJECTOR PISCINA PRÉ-FABRICADA ABS/INOX**



PORTUGUES

POS	CODIGO	DESCRIÇÃO	JANTIDADE	POS	CODIGO	DESCRIÇÃO	JANTIDADE
1	* 4403010301	ARO INOX PROJECTOR		8	* 4403010901	ARO PROJECTOR PISC. PRÉF.	
1	* 4403010302	ARO BRANCO PROJECTOR		8	* 4403012416	ARO PROJECTOR PISC. PRÉF. PARKER	
1	* 4403010100	ARO ANTRACITE PROJECTOR		8	* 4403010146	ARO PROJECTOR PISC. PRÉF.	
2	4403010304	JUNTA TÓRICA PROJECTOR		9	4403012412	JUNTA ADESIVA PROJECTOR	
3	4403010306	CLIP FIXAÇÃO PROJECTOR		10	4403010314	CABO PROJECTOR M-25	
4	4403010058	BOMBILHA		11	4403010313	BUCIN CORPO M-25	
5	4403010305	FUNDO FOCO PROJECTOR		12	* 07856R0200	NICHO BIMATERIAL COM ROSCA METRICA	
6	4403010312	BUCIN FOCO M-25		12	* 21079R0001	NICHO PROJECTOR STD M-25 PIS.	
7	4403015002	CONJUNTO FIXAÇÃO PROJECTOR JELLY S					

CODIGO **07855, 07856, 21080, 07856CL144**

DESCRIÇÃO: PROJECTOR PISCINA PRÉ-FABRICADA ABS/INOX

OBSERVAÇÕES

POS	CODIGO	OBSERVAÇÕES
1	* 4403010301	PARA: 07855
1	* 4403010302	PARA: 07856, 21080
1	* 4403010100	PARA: 07856CL144
8	* 4403010901	PARA: 07855, 07856
8	* 4403012416	PARA: 21080
8	* 4403010146	PARA: 07856CL144
12	* 07856R0200	PARA: 07855, 07856, 07856CL144
12	* 21079R0001	PARA: 21080